

HV Start-up PWM Controller with Over Temperature Protection

General Description

EM8672 is a high performance, low cost, HV Start-up, current mode PWM controller with green mode power saving. The EM8672 integrates functions of Soft Start(SS), Under Voltage Lockout(UVLO), Leading Edge Blanking(LEB), internal Over Temperature Protection(OTP), internal slope compensation. The EM8672 also features more protection like Over Load Protection(OLP) and Over Voltage Protection(OVP) to prevent circuit damage occurred under abnormal conditions. The EM8672 also has external Over Temperature Protection(Latch).

Features

- 700V High Voltage Start up Circuit
- Current Mode Control
- Soft Start Function
- Built-in Slope Compensation
- Internal Leading-edge Blanking
- External Over Temperature Protection
- Over Voltage Protection (OVP) on VCC pin
- Over Load Protection (OLP)
- Cycle-by-cycle Current Limit
- Feedback Open Protection
- Internal Over Temperature Protection (OTP)
- Constant Output Power Limit (Full AC Input Range)
- Excellent EMI performance



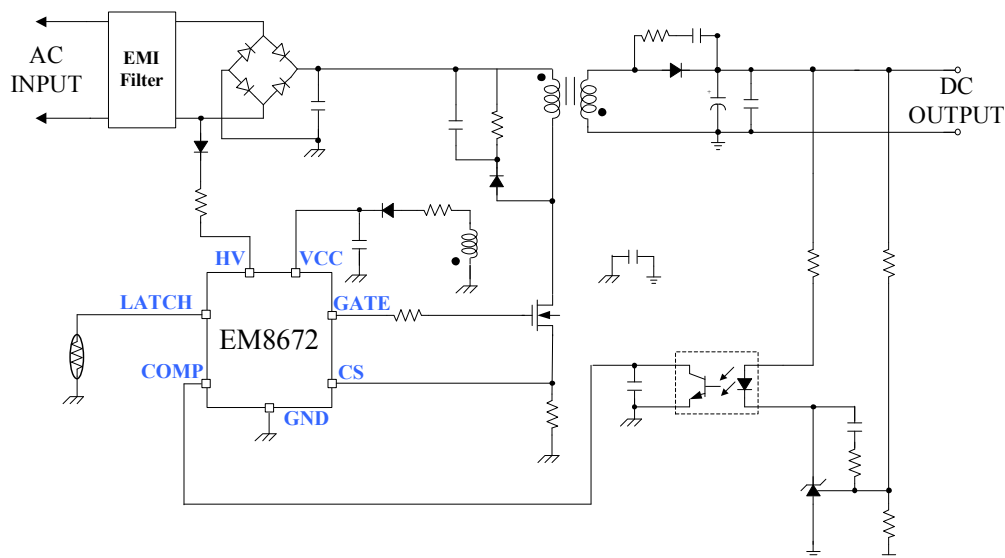
Ordering Information

Part Number	Package	Remark
EM8672G	SOP-8	
EM8672G7	SOP-7	

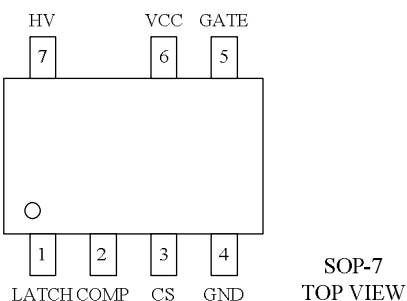
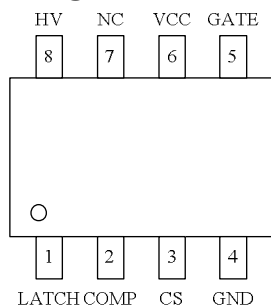
Applications

- LCD Monitor Power Supply
- Open-Frame SMPS

Typical Application Circuit



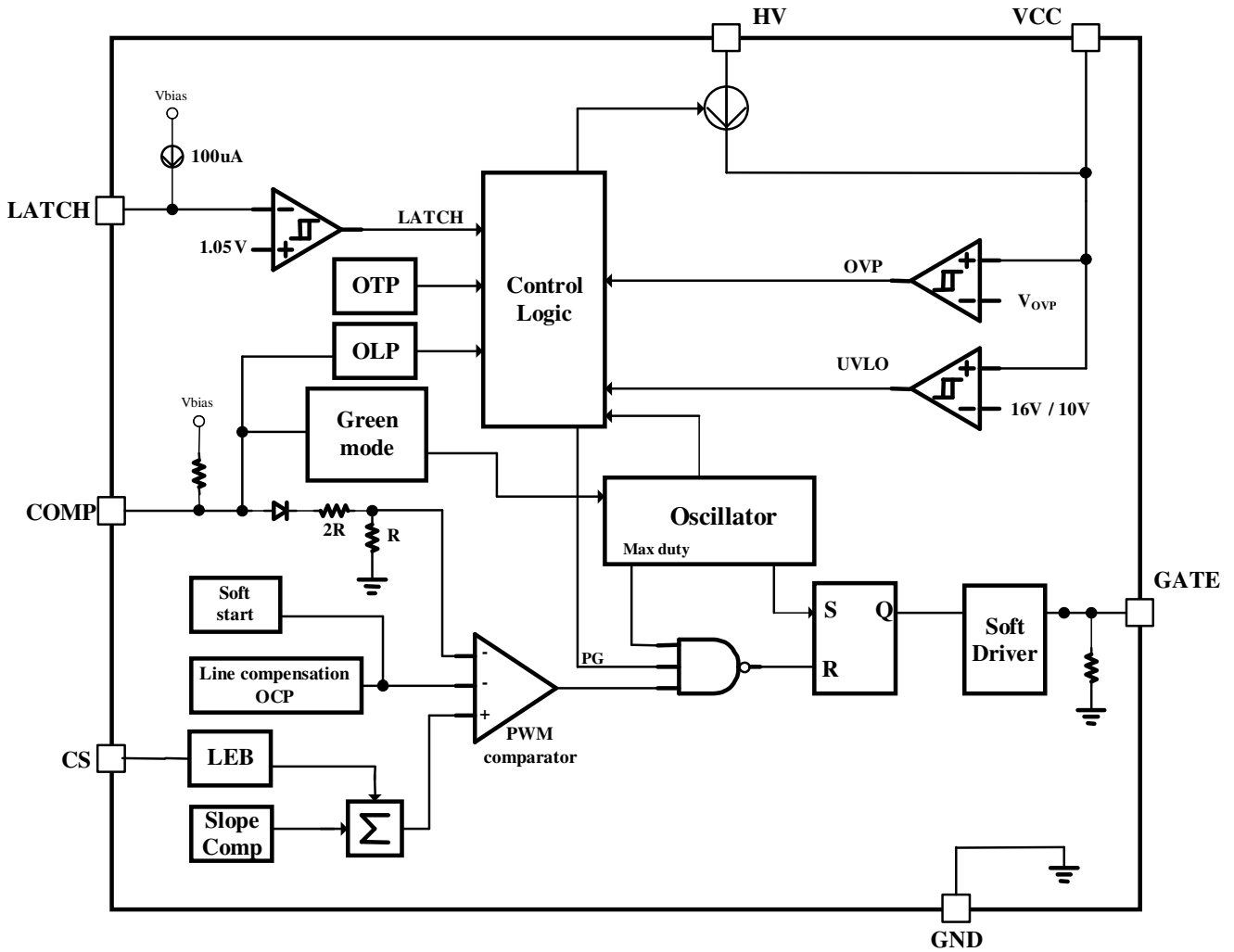
Pin Configuration



Pin Assignment

Pin Name	Pin Number		Pin Function
	SOP-8	SOP-7	
GND	4	4	Ground.
COMP	2	2	Voltage feedback pin. By connecting a photo-coupler to close the control loop and achieve the regulation.
LATCH	1	1	This pin provides an Internal sourcing current of 100uA, used for external latch circuit. When this pin < 1.05V and after 160uS, IC is latch off. By connecting a NTC resistor to GND, it can achieve the OTP protection function. Keep this pin floating to disable the latch protection.
CS	3	3	Senses the primary current.
VCC	6	6	IC Power Supply Pin.
GATE	5	5	Gate drive output to drive the external MOSFET.
NC	7	--	No Internal Connection.
HV	8	7	For start-up, this pin is pulled high to the line input or the bulk capacitor via resistors.

Function Block Diagram



Absolute Maximum Ratings (Note1)

- Supply Input Voltage, VCC ----- 30V
- Gate pin----- 30V
- HV pin----- 700V
- LATCH, COMP, CS Pin ----- 0.3V to 6.5V
- Power Dissipation, PD @ TA = 25°C
 - SOP 8 ----- 0.4W
 - SOP7 ----- 0.4W
- Package Thermal Resistance
 - SOP 8 ----- 160°C/W
 - SOP 7 ----- 160°C/W
- Junction Temperature ----- 150°C
- Lead Temperature (Soldering, 10 sec.) ----- 260°C
- Storage Temperature Range ----- -65°C to 150°C
- ESD Susceptibility (Note2)
 - HBM (Human Body Mode) ----- 3KV
 - MM (Machine Mode) ----- 250V
- Gate Output Current----- 500mA

Recommended Operating Conditions (Note3)

- Supply Input Voltage, VCC ----- 11V to 25V
- V_{CC} Capacitor ----- 4.7uF to 47uF
- Junction Temperature Range----- -40°C to 125°C
- Ambient Temperature Range----- -40°C to 85°C

Electrical Characteristics

($V_{CC}=15V$, $T_A=25^{\circ}C$, unless otherwise specified)

Parameter	Symbol	Test Conditions	Min	Typ	Max	Units
VCC Section						
VCC OVP Protect voltage	V_{OVP}		25	27	29	V
Start up current	I_{START}	$V_{CC}=V_{TH-ON}-0.5V$	-	45	65	μA
VCC On Threshold Voltage	V_{TH-ON}		15	16	17	V
VCC Off Threshold Voltage	V_{TH-OFF}		9	10	11	V
VCC Reset Threshold Voltage	V_{RESET}			8.8		V
Operating Supply Current 1	I_{CC-OP1}	$V_{CC}=15V$, $V_{COMP}=0V$,	-	1	2	mA
Operating Supply Current 2	I_{CC-OP2}	$V_{CC}=15V$, $V_{COMP}=3V$, $C_{GATE}=1nF$	-	2.5	-	mA
Operating Supply Current 3	I_{CC-OP3}	$V_{CC}=15V$, Protection triggered	-	0.5	-	mA
Gate Section						
Rising Time	T_R	$C_L = 1nF$	-	100	160	nS
Falling Time	T_F	$C_L = 1nF$	-	30	60	nS
HV Section						
HV Current Source	I_{HV}	$V_{CC}=V_{TH-ON}-0.5V$ $V_{HV}=50V$		1		mA
Off-State Leakage	$I_{leakage}$	$V_{CC}=V_{TH-ON}+0.5V$ $V_{HV}=700V$		1	20	μA
Current-Sense Section						
Maximum Internal Current Setpoint	V_{CSLim}		0.8	0.85	0.9	V
Leading Edge Blanking Time	T_{LEB}		200	300	400	nS
Propagation Delay Time	T_{PD}			100		nS
Soft-Start Period	T_{SS}			2.5		mS
Internal Oscillator						
Oscillation Frequency	f_{OSC}		60	65	70	KHz
Maximum Duty	D_{max}			75		%
Green mode minimum frequency				22		KHz
Frequency variation vs. VCC		$V_{CC}=11V$ to $25V$			5	%
Frequency variation vs. Temperature		$-20^{\circ}C$ to $105^{\circ}C$ (Note4)			5	%
COMP Section						
COMP short to GND current	I_{COMP}	$V_{COMP}=0V$	150	250	350	μA
Open loop COMP voltage	V_{COMP}	COMP pin open		5.2		V

COMP voltage to CS voltage Attenuation	A_v		1 / 2.5	1 / 3	1 / 3.5	V/V
Green mode COMP Threshold Voltage	V_{Green}			1.8		V
COMP voltage for zero duty	$V_{COMP-ZD}$			1.3		V
LATCH Section						
Latch pin source current	I_{LATCH}		92	100	108	μA
Turn-off voltage	V_{LATCH}		1.0	1.05	1.1	V
Latch debounce time	T_{LATCH}		100	160	220	μS
Protection Section						
Open loop protection delay time	T_{delay}			56		mS
Open loop protection COMP Trip voltage	V_{OLP}			4.0		V
Internal Temperature Shutdown	T_{SD}			140		$^{\circ}C$

Note 1. Stresses listed as the above “Absolute Maximum Ratings” may cause permanent damage to the device. These are for stress ratings. Functional operation of the device at these or any other conditions beyond those indicated in the operational sections of the specifications is not implied. Exposure to absolute maximum rating conditions for extended periods may remain possibility to affect device reliability.

Note 2. Devices are ESD sensitive. Handling precaution is recommended.

Note 3. The device is not guaranteed to function outside its operating conditions.

Note 4. Guaranteed by design.

Typical Operating Characteristics

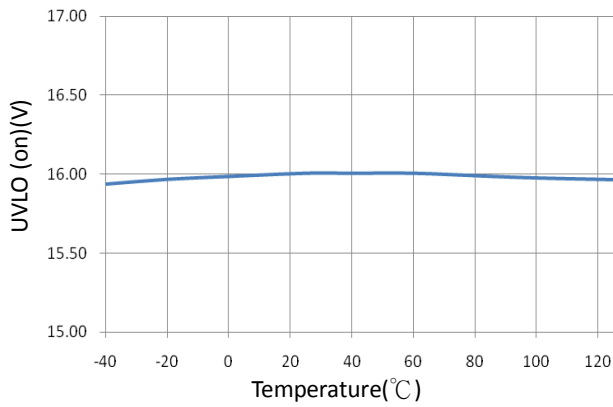


Fig1. UVLO (on) vs. Temperature

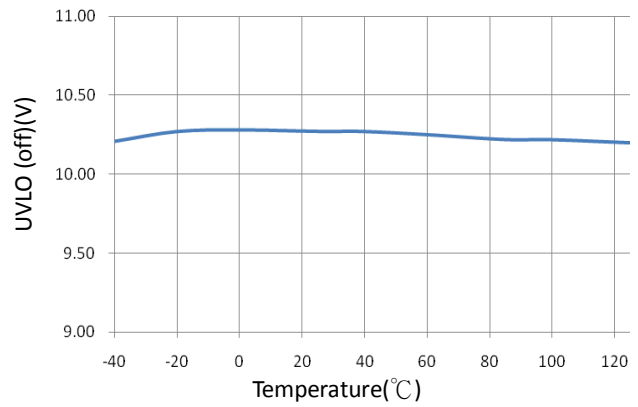


Fig2. UVLO (off) vs. Temperature

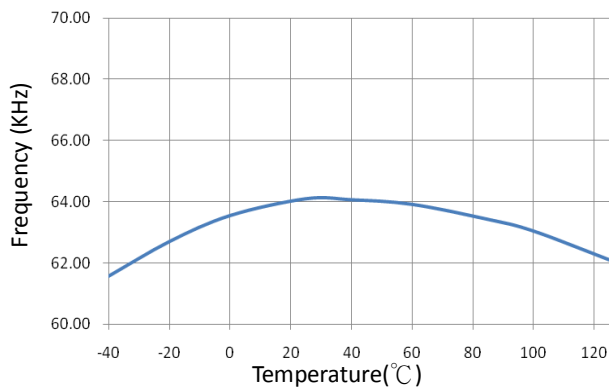


Fig3. Frequency vs. Temperature.

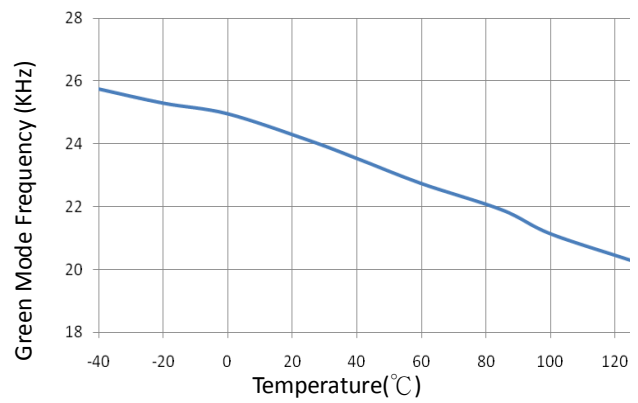


Fig4. Green Mode Frequency vs. Temperature.

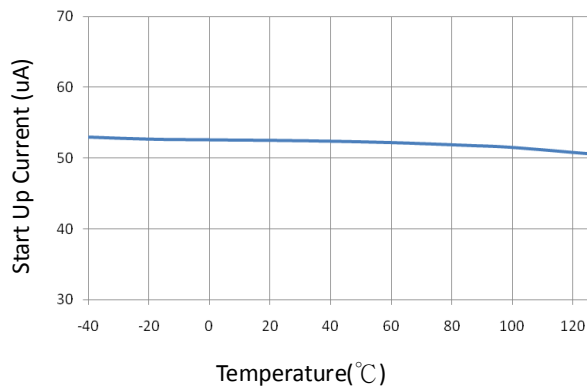


Fig5. Start Up Current vs. Temperature.

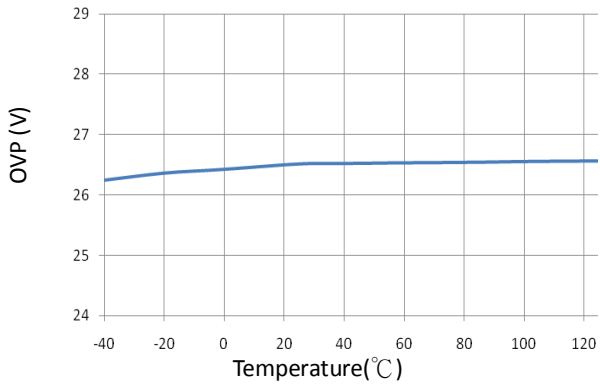


Fig6. OVP vs. Temperature.

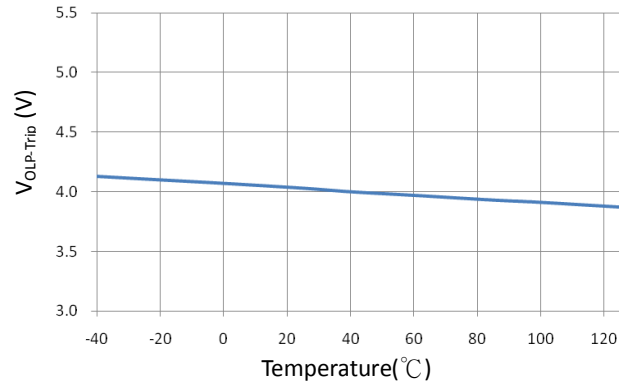


Fig7. V_{OLP-Trip} vs. Temperature.

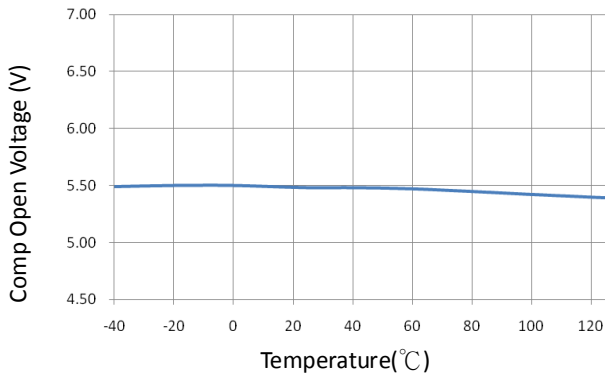


Fig8. Comp Open Voltage vs. Temperature.

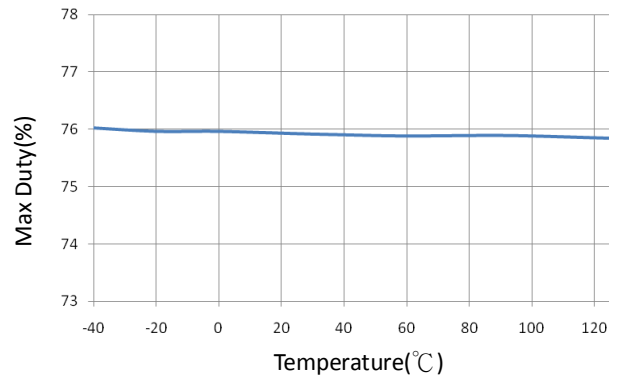


Fig9. Max Duty vs. Temperature.

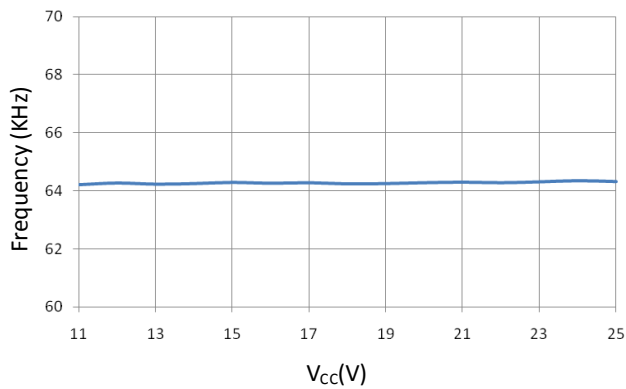


Fig10. Frequency vs. V_{CC}.

Functional Description

UVLO

An UVLO comparator is implemented in EM8672 to monitor the VCC pin voltage. As shown in Fig. 13, a hysteresis is built in to prevent the shutdown from the voltage drop during startup. The UVLO (on) and UVLO (off) are setting at 16V and 10V, respectively.

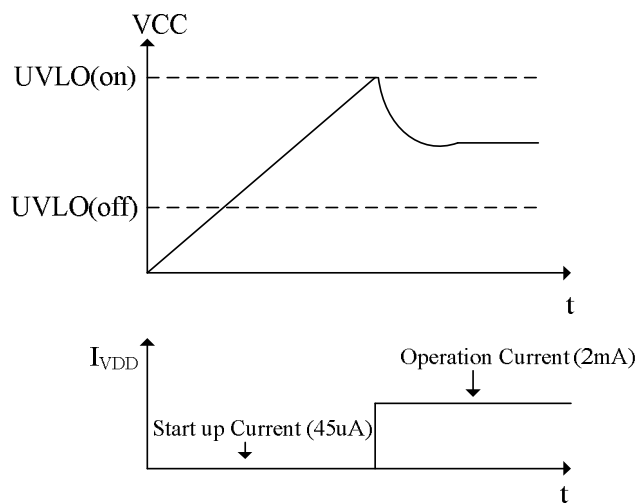


Fig. 13

Startup Operation

Fig. 14 shows a typical HV startup circuit and transformer auxiliary winding for the EM8672 application. It consumes only startup current (typical 45uA) and the startup current drawn from the HV pin to charge the VCC capacitor (C_{VCC}). When VCC reaches UVLO (on) voltage, EM8672 begins switching and the HV startup current switches off. Then, the power required is supplied from the transformer auxiliary winding. The hysteresis of UVLO (off) provides more holdup time, which allows using a small capacitor for VCC.

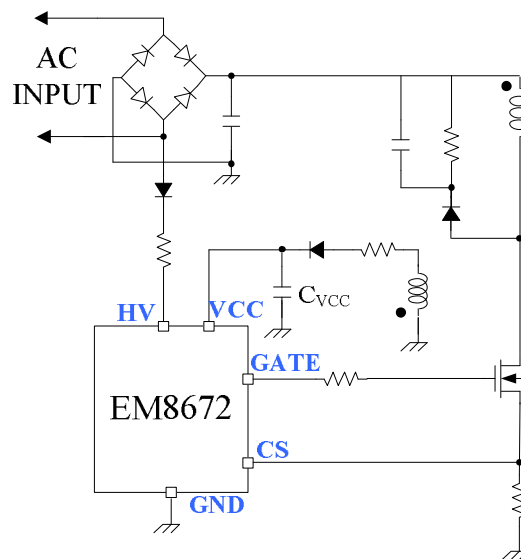


Fig. 14

Switching Frequency

To guarantee accurate frequency, EM8672 is trimmed to 7% tolerance. The internal oscillator also generates slope compensation, 75% maximum duty limit.

Leading Edge Blanking (LEB)

Each time the power MOSFET turn on, the MOSFET C_{OSS} , secondary rectifier reverse recovery current and gate driver sourcing current comprise the current spike. To avoid premature termination of the switching pulse, a leading edge blanking time is built in. During the blanking time (300nS), the PWM comparator is off and cannot switch off the gate driver. It is recommended to adopt a smaller R-C filter (as show at Fig.15) for high power application to avoid the total spike width over 300nS leading edge blanking time.

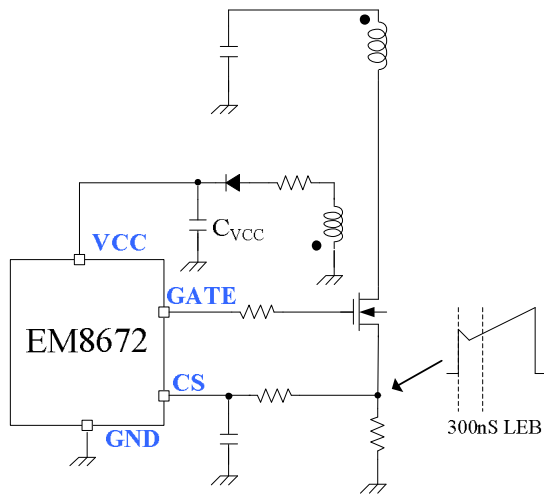


Fig. 15

Soft Start

The EM8672 has an internal soft-start circuit that increases cycle-by-cycle current limit comparator inverting input voltage slowly after it starts. The typical soft-start time is 2.5mS. The pulse width to the power MOSFET is progressively increased to establish the correct working conditions for transformers, rectifier diodes and capacitors. The voltage on the output capacitors is progressively increased with the intention of smoothly establishing the required output voltage. It also helps prevent transformer saturation and reduces the stress on the secondary diode during startup.

Slope compensation

In the conventional application, the problem of the stability is a critical issue for current mode controlling, when it operates in higher than 50% of the duty cycle. The EM8672 built in saw-tooth slope compensation. So it requires no extra component.

Burst Mode Operation

At no load or light load condition, majority of the power dissipation in switching power supply is from switching loss on the power MOSFET, the core loss of the transformer and the loss on the snubber. The magnitude of power loss is in proportion to the number of switching events

within a fixed period of time. Reducing switching events leads reduction on the power loss and conserves the energy.

The EM8672 adjusts the switching mode according to the load condition, the COMP pin voltage drops below burst mode threshold level. Device enters Burst Mode Control. The Gate drive output remains at off state to minimize the switching loss and reduces the standby power consumption.

Protection

The EM8672 provides many protection functions that intend to protect system from being damaged. All the protection functions are listed as below:

- **Cycle-by-cycle current limit**

The EM8672 has over-current protection thresholds. It is for cycle-by-cycle current limit, which turns off MOSFET for the remainder of the switching cycle when the sensing voltage of MOSFET current reaches the threshold.

- **Over-load / Open-loop Protection (OLP)**

When feedback loop is open, as shown in Fig. 16, no current flows through the opto-coupler transistor, the EM8672 pulls up the COMP pin voltage to 5.2V.

When the COMP pin voltage is above 4.0V longer than 56mS, OLP is triggered. This protection is also triggered when the SMPS output drops below the normal value longer than 56mS due to the overload condition.

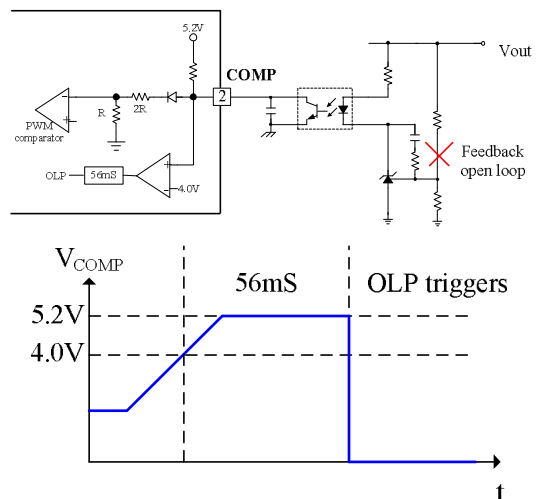


Fig. 16

● **Over Voltage Protection (OVP) on VCC**

The V_{GS} ratings of the HV power MOSFETs are often limited up to max 30V. To prevent the V_{GS} from the fault condition, the EM8672 are implemented an Over-Voltage-Protection (OVP) on VCC. Whenever the VCC voltage is higher than the OVP threshold voltage (27V), the output gate drive will be shutdown to stop the switching of the power MOSFET until the next UVLO (on).

The Over-Voltage-Protection on VCC function in EM8672 is an auto-restart type protection. If the OVP condition is not released, the VCC will trip the OVP level again and re-shutdown the gate output. The VCC is working as a hiccup mode as shown in Fig. 17. On the other hand, if the OVP condition is removed, the VCC level will go back to normal level and the output will automatically return to the normal operation.

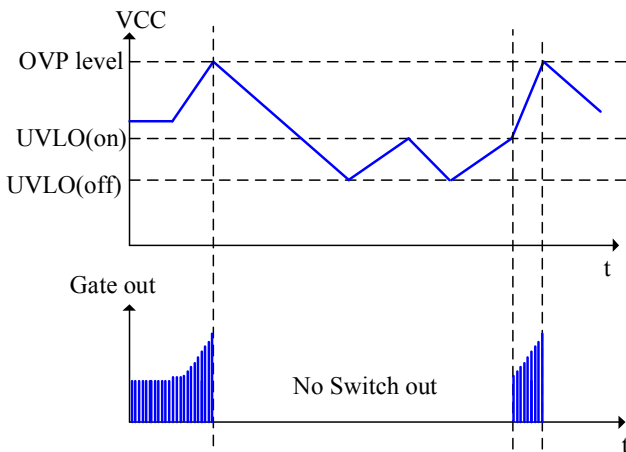


Fig. 17

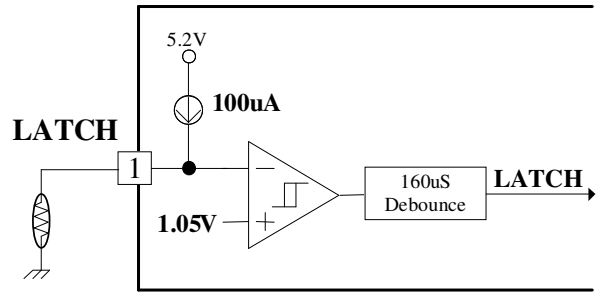


Fig. 18

● **External Over-Temperature Protection (OTP)**

The LATCH pin is equipped with a latch shutdown function. (Fig. 18) By decreasing the LATCH pin voltage to 1.05V or lower, the IC enters the latch mode. To reset latch mode, interrupt the input voltage, thus decreasing the VCC voltage to the Reset Threshold Voltage or lower. If the external latch shutdown function by the LATCH pin is not to be used, let this pin floating or connecting a capacitor only.

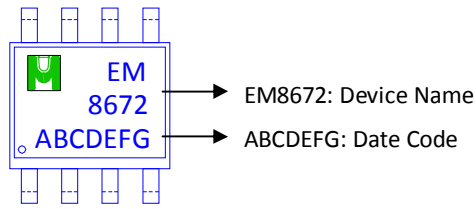
Connect an NTC resistor to the LATCH pin to use the over-temperature protection. (Fig. 18)

● **Internal Over-Temperature Protection (OTP)**

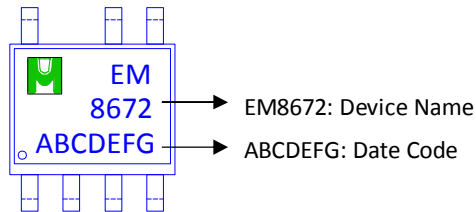
Internal 140°C comparator will provide over temperature protection (OTP). OTP will not shutdown system. It stops the system from switching until the VCC is below the UVLO (off) threshold voltage, the system will hiccup.

Ordering & Marking Information

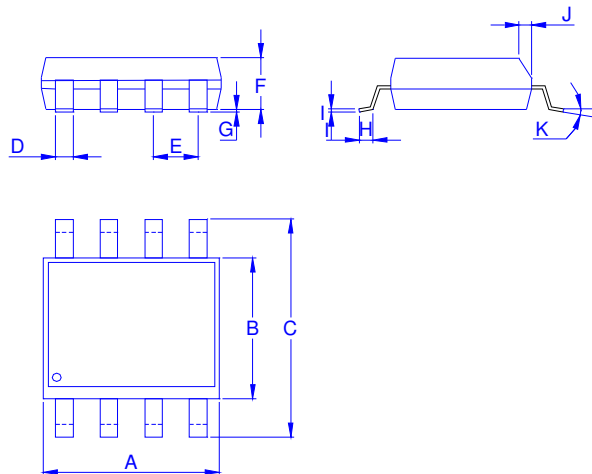
Device Name: EM8672G for SOP-8



Device Name: EM8672G7 for SOP-7



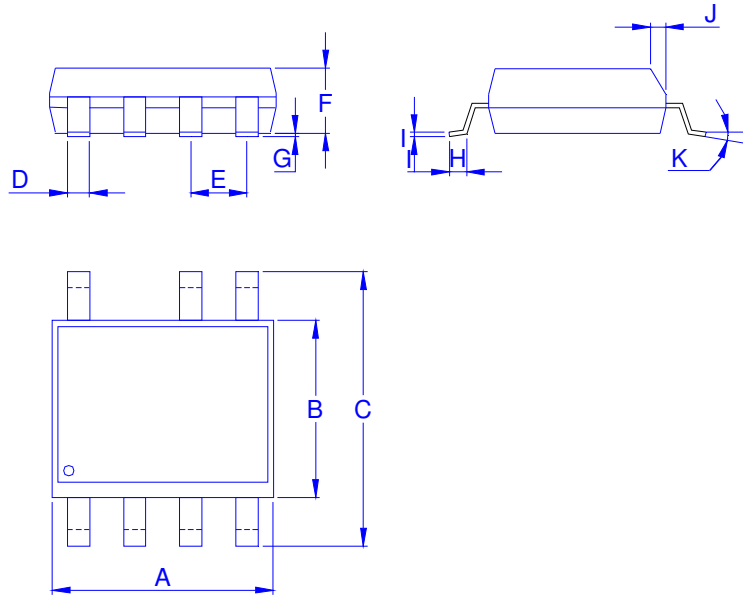
Outline Drawing
SOP-8



Dimension in mm

Dimension	A	B	C	D	E	F	G	H	I	J	K
Min.	4.70	3.70	5.80	0.33		1.20	0.08	0.40	0.19	0.25	0°
Typ.					1.27						
Max.	5.10	4.10	6.20	0.51		1.62	0.28	0.83	0.26	0.50	8°

SOP-7



Dimension in mm

Dimension	A	B	C	D	E	F	G	H	I	J	K
Min.	4.70	3.70	5.80	0.33		1.20	0.08	0.40	0.19	0.25	0°
Typ.					1.27						
Max.	5.10	4.10	6.20	0.51		1.62	0.28	0.83	0.26	0.50	8°